

REMARKS

In view of the above, each of the presently pending claims in this application is believed to be in immediate condition for allowance. Accordingly, the Examiner is respectfully requested to pass this application to issue.

If these papers are not considered timely filed by the Patent and Trademark Office, then a petition is hereby made under 37 C.F.R. § 1.136, and any additional fees required under 37 C.F.R. § 1.136 for any necessary extension of time, or any other fees required to complete the filing of this response, may be charged to Deposit Account No. 50-0911. Please credit any overpayment to deposit Account No. 50-0911.

Dated: November 17, 2003

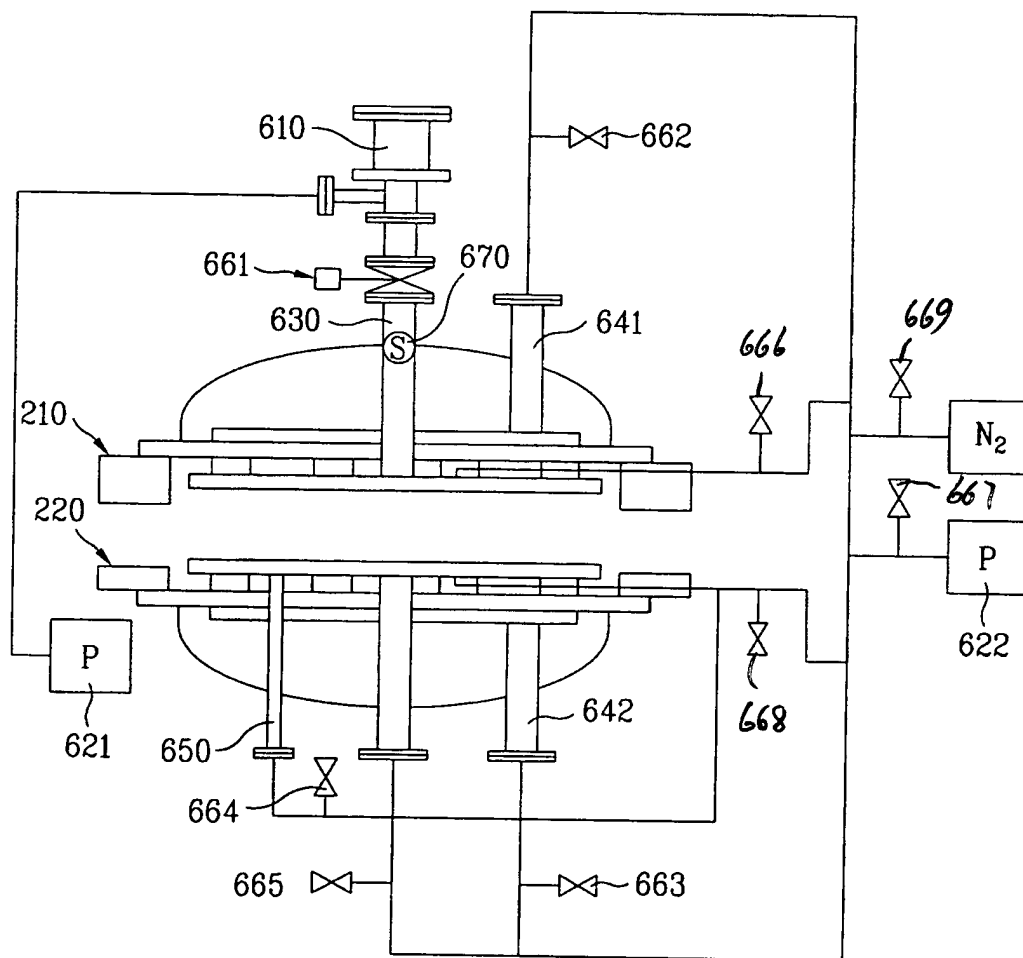
Respectfully submitted,

By  _____

Kurt M. Eaton
Registration No.: 51,640
MCKENNA LONG & ALDRIDGE LLP
1900 K Street, N.W.
Washington, DC 20006
(202) 496-7500
Attorneys for Applicant



FIG. 7



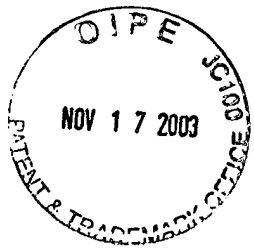
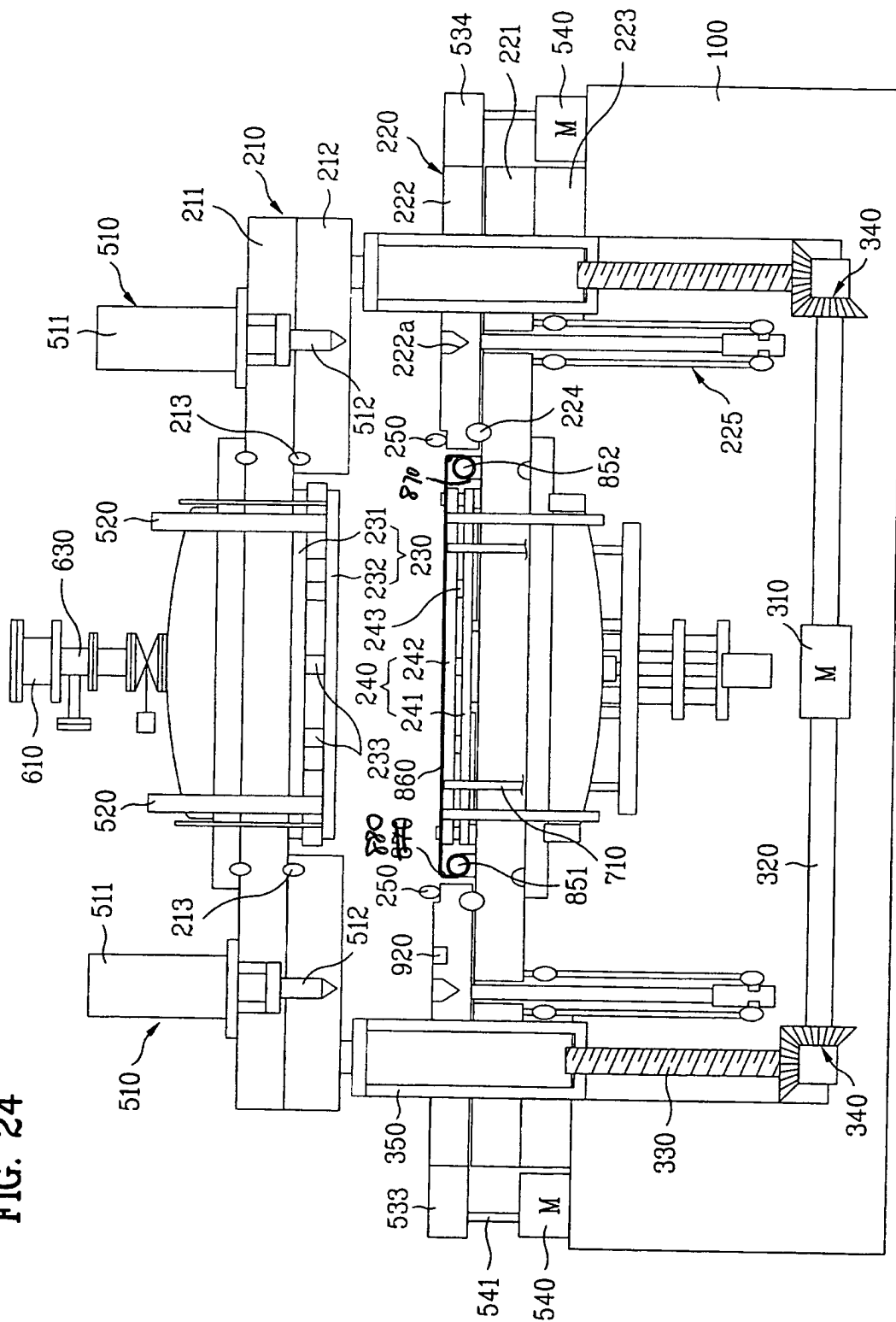


FIG. 24



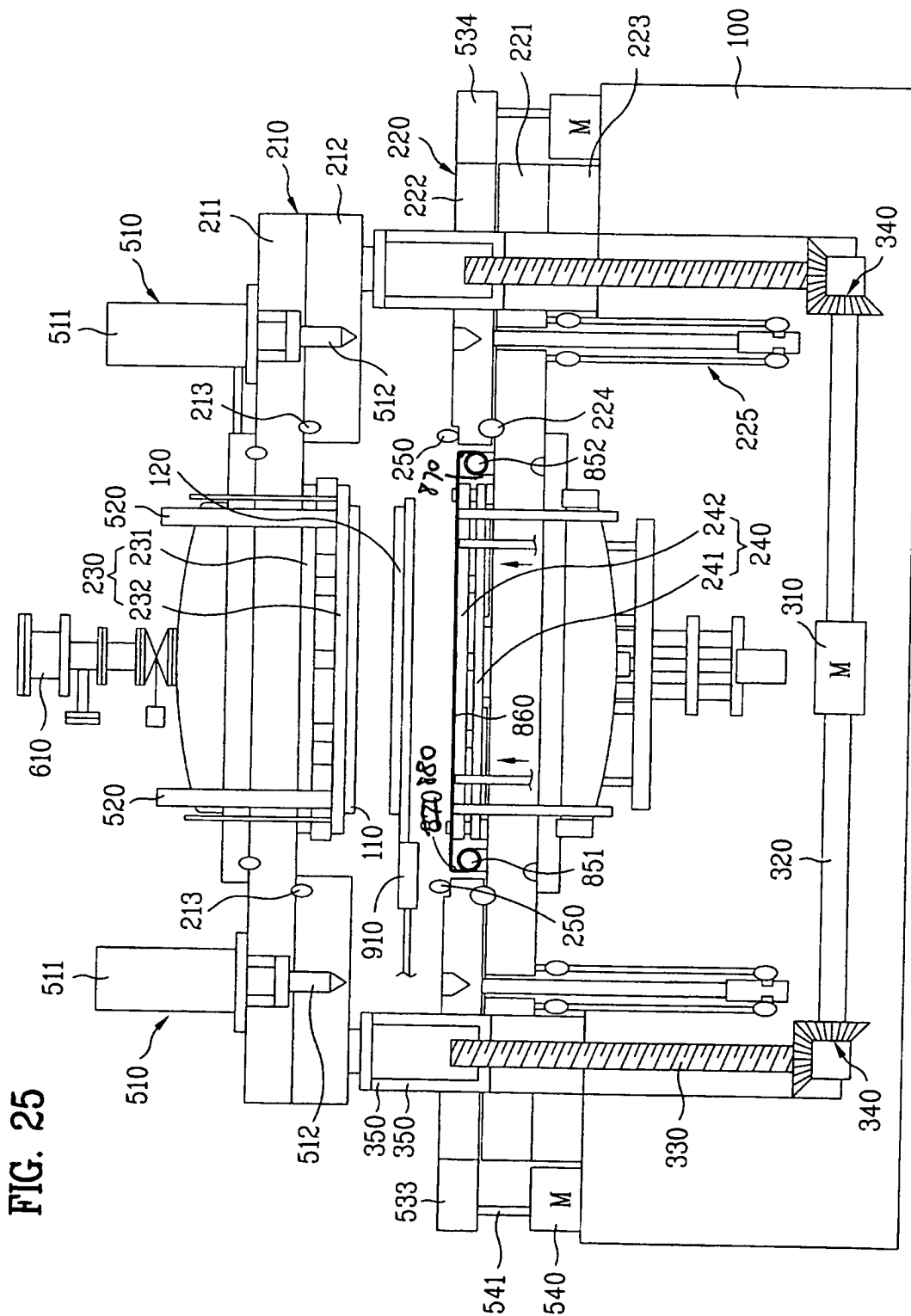




FIG. 26

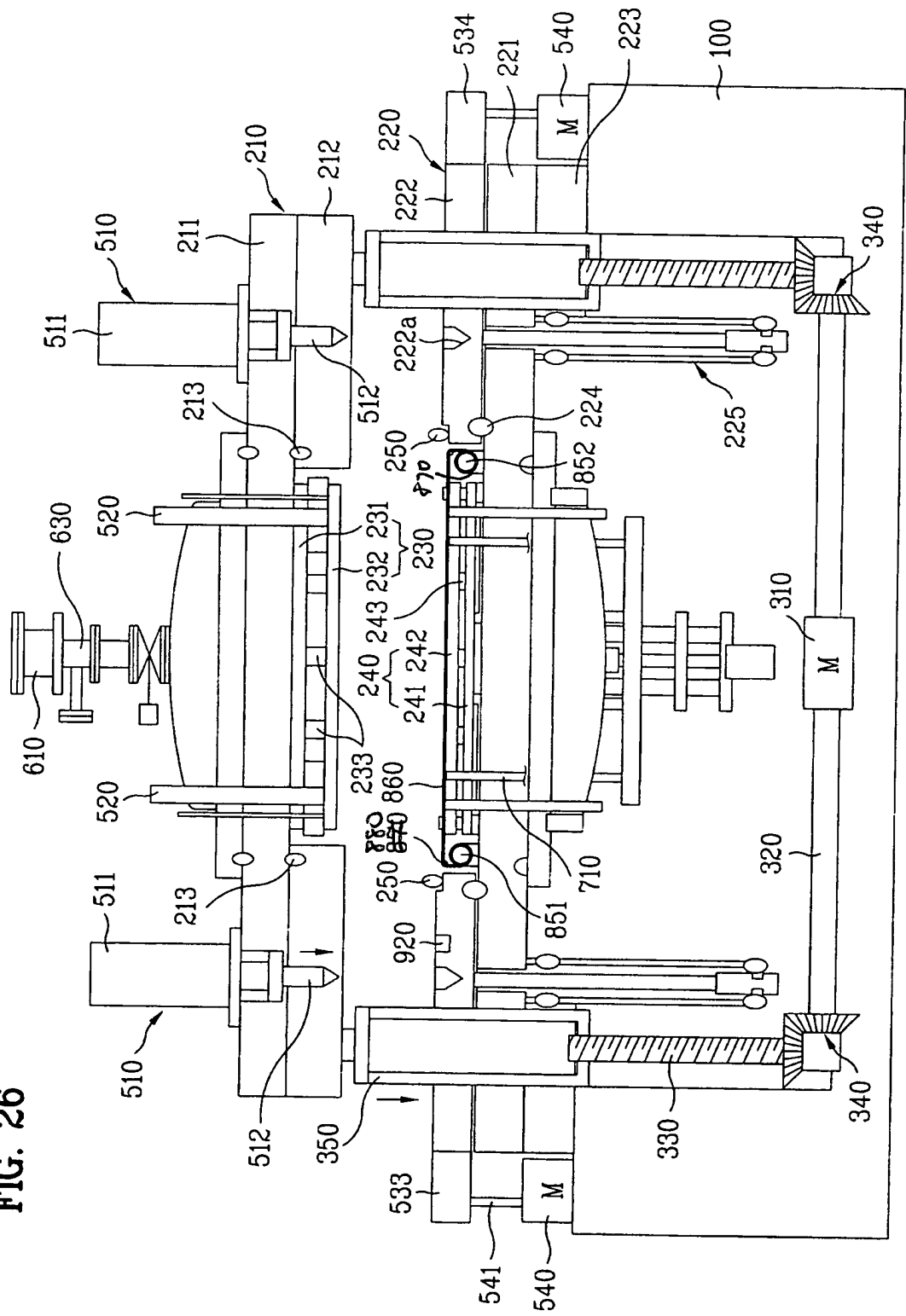




FIG. 28

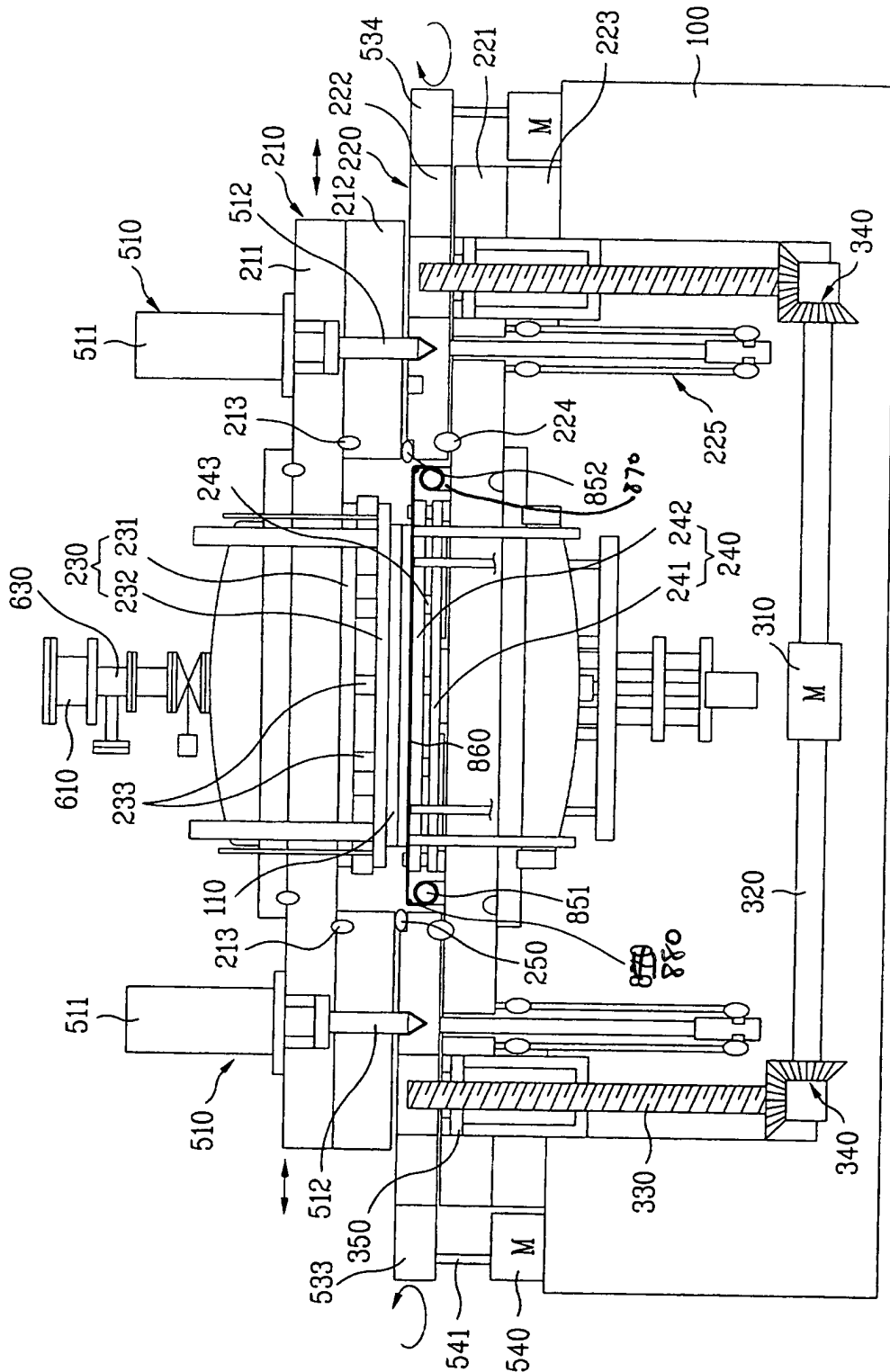




FIG. 30

